

# TRACK3R

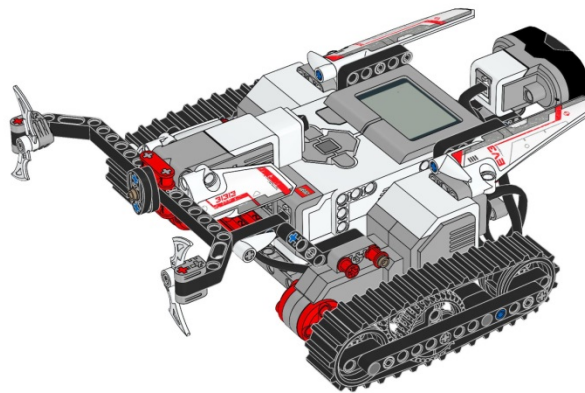
From the LEGO Mindstorms Page

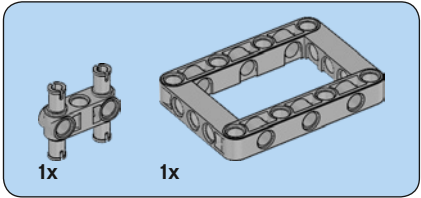
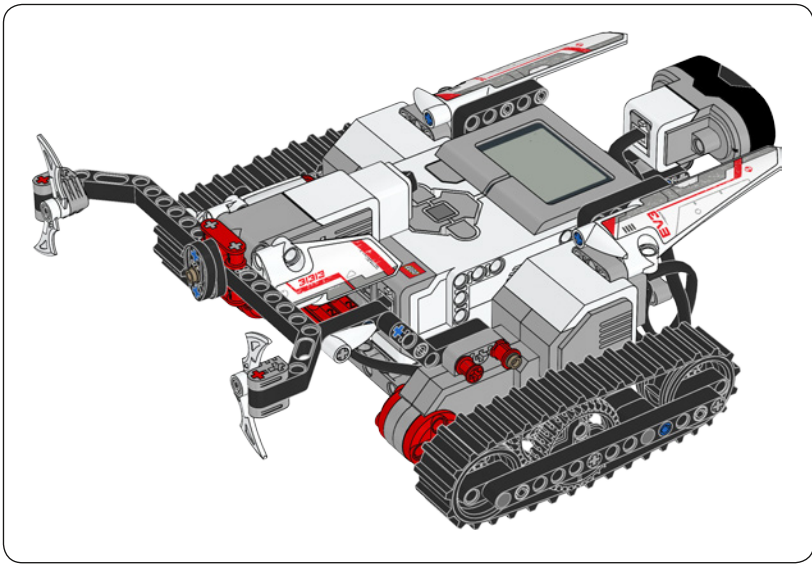
These directions are for the simple chassis build for this treaded robot

For the full directions, visit the LEGO website:

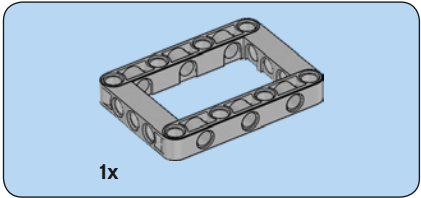
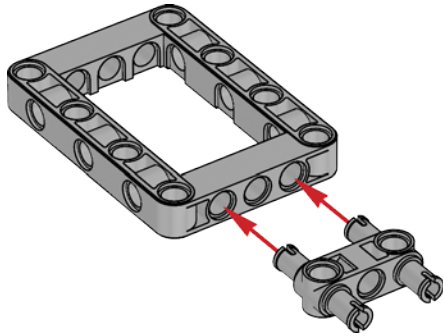
<http://www.lego.com/en-us/mindstorms/build-a-robot/track3r>

**31313 TRACK3R**

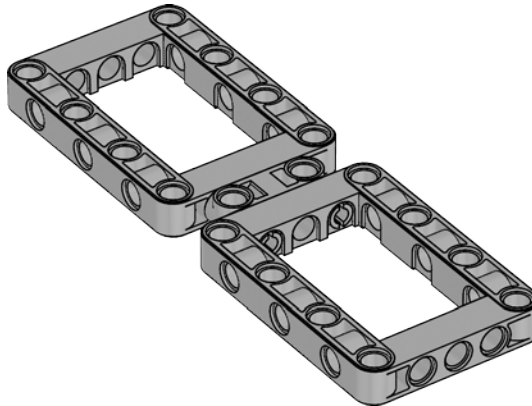


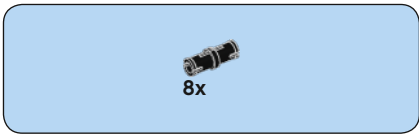


1

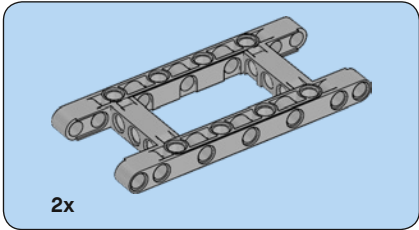
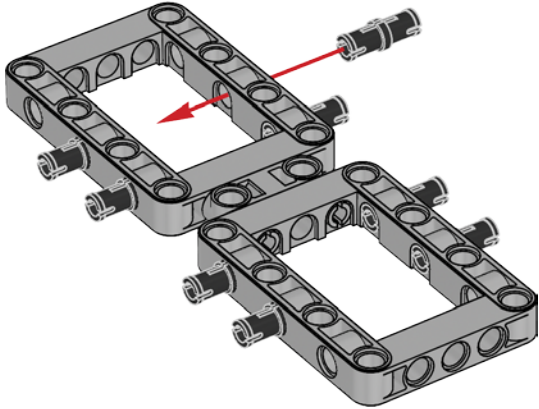


2

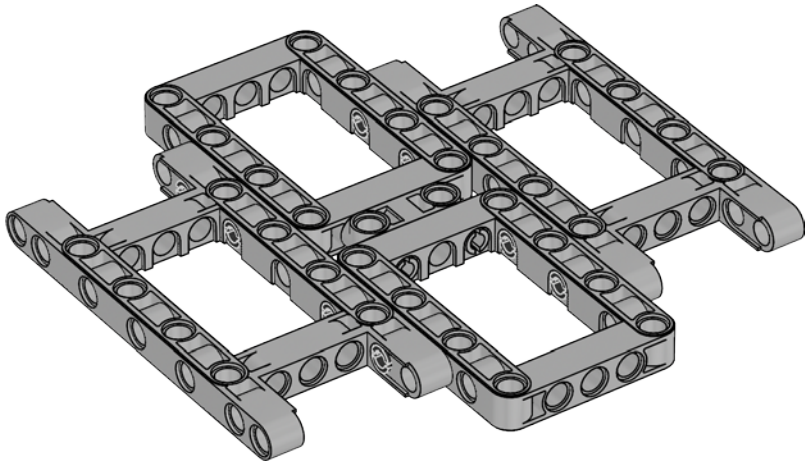


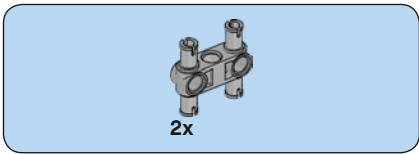


3

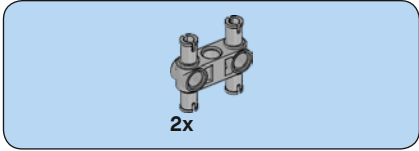
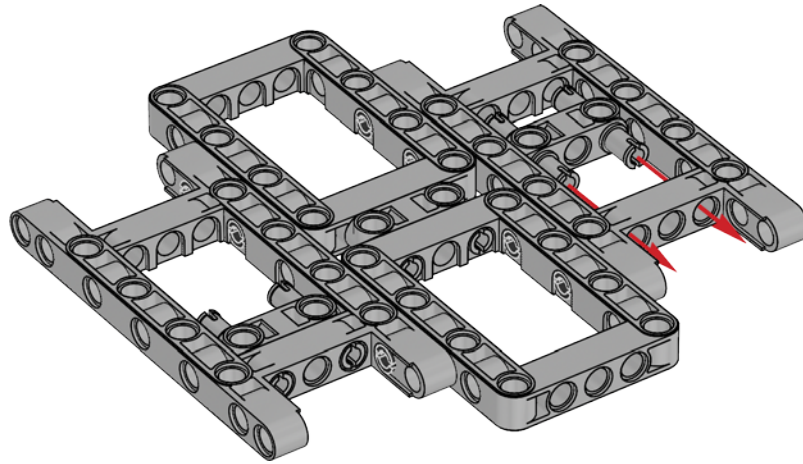


4

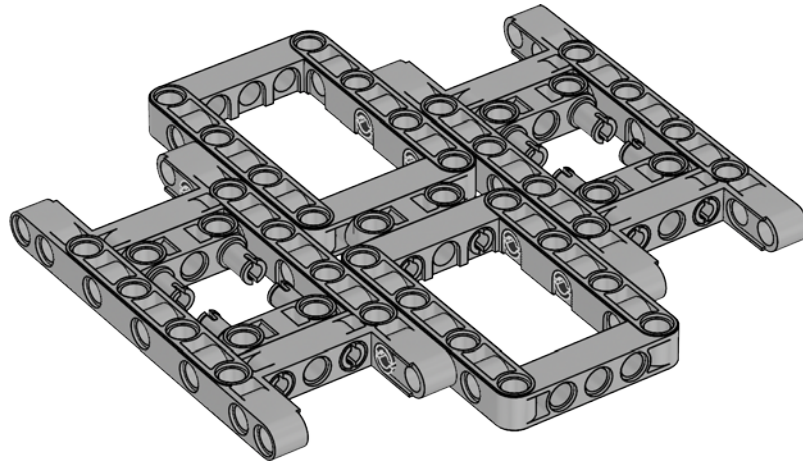


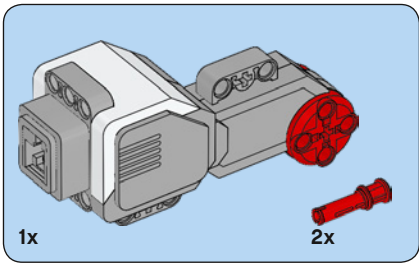


5

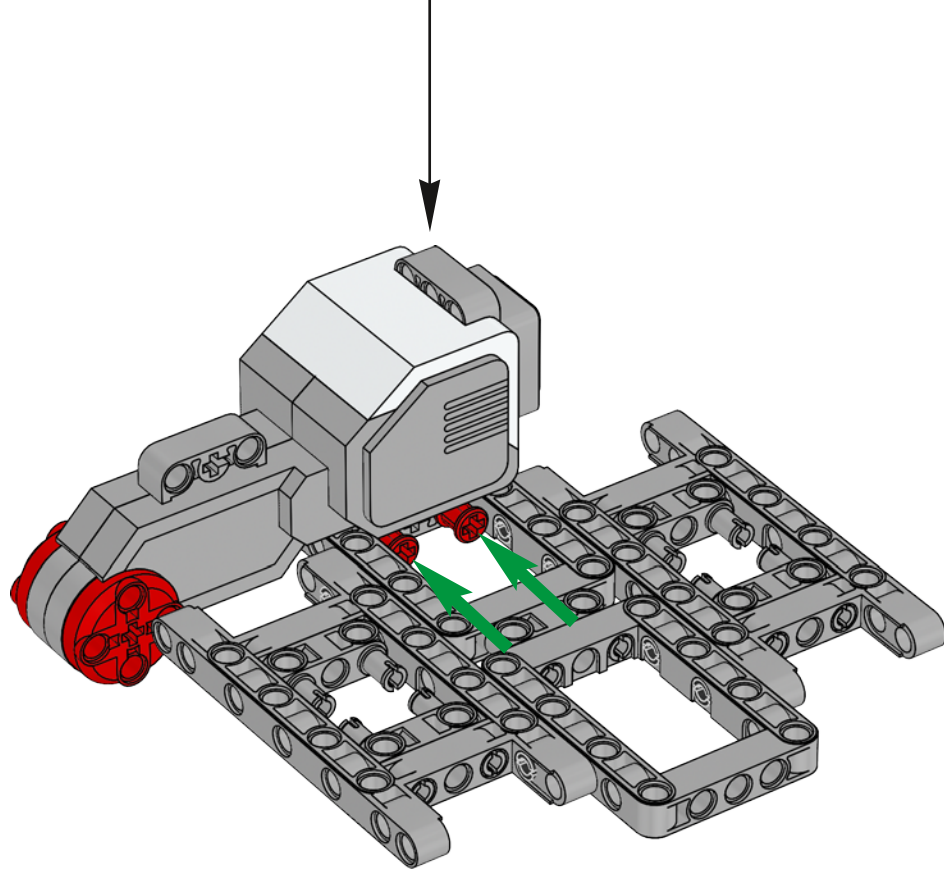
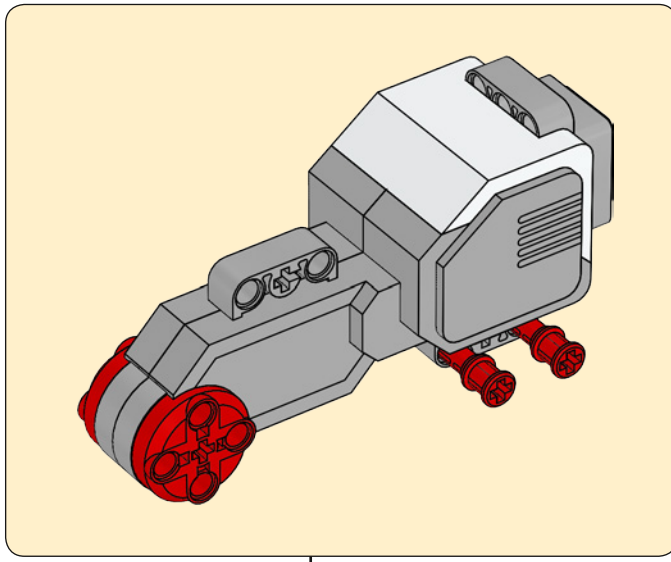


6





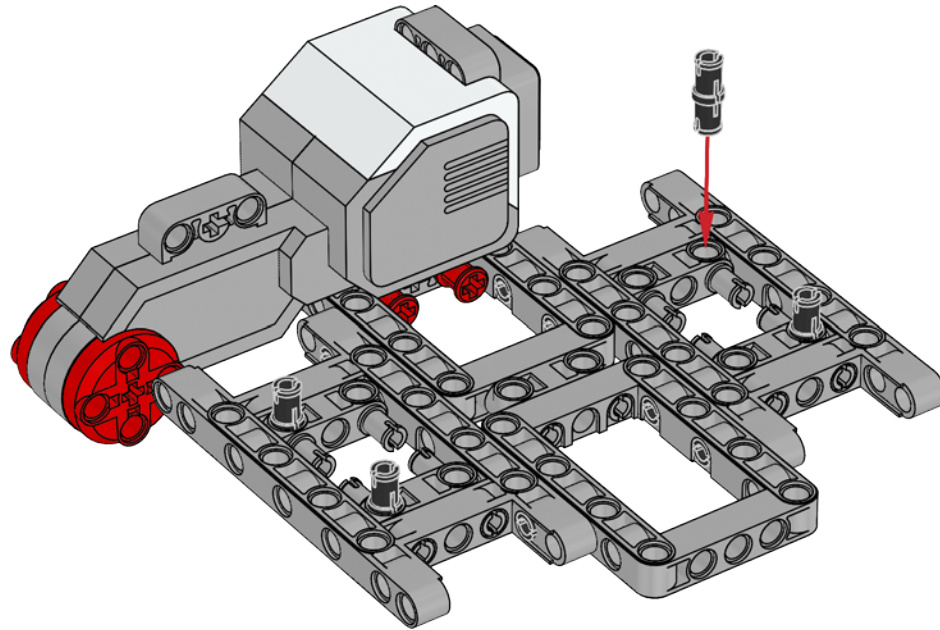
7



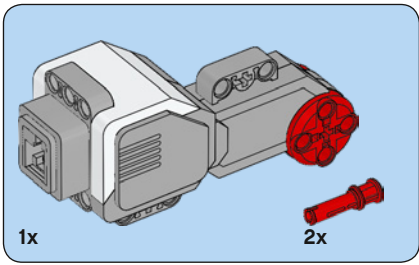


4x

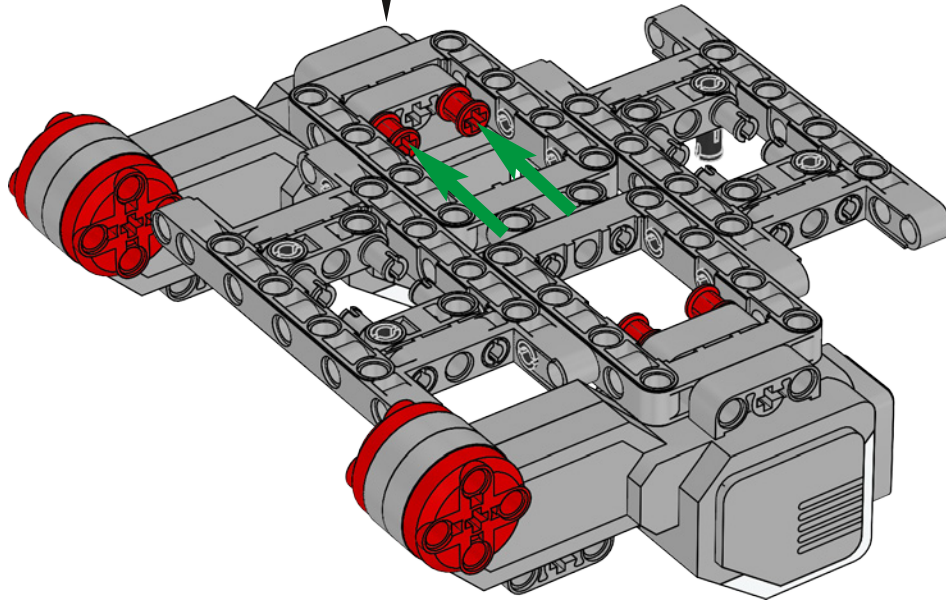
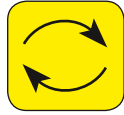
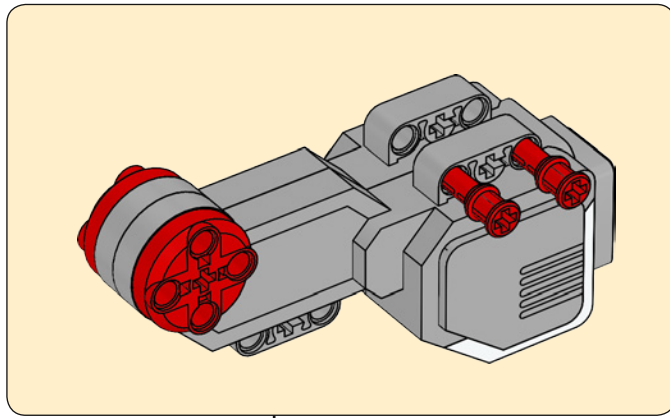
8

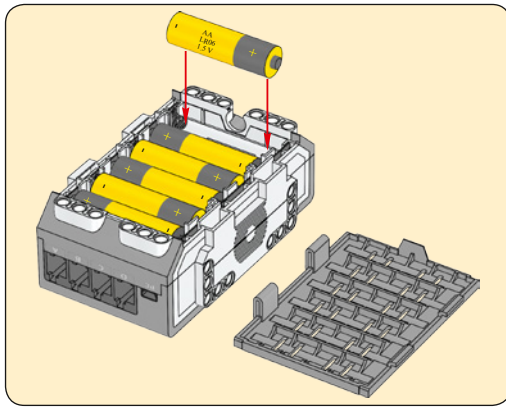
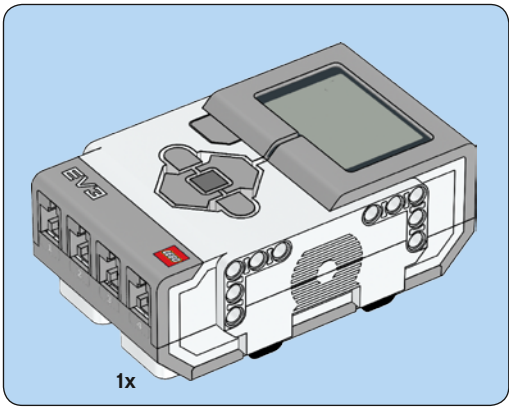






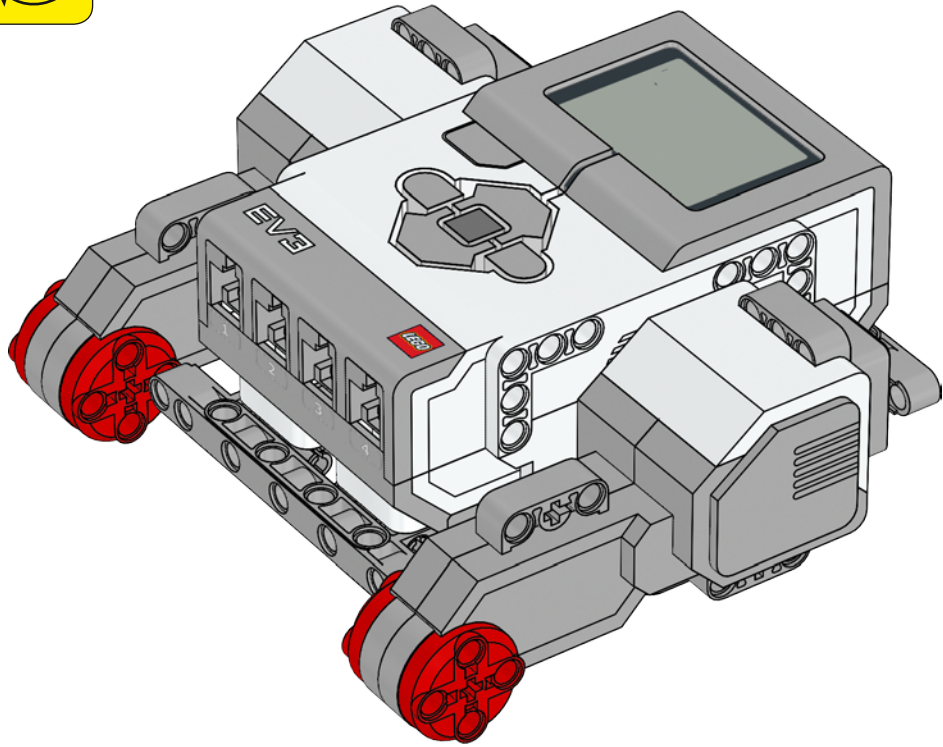
9



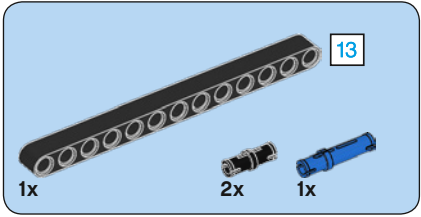
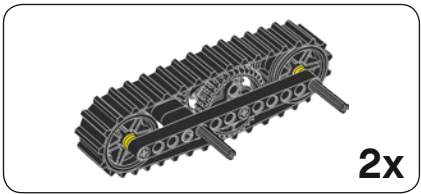


AA  
LR06  
1.5V  
x6

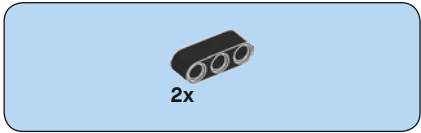
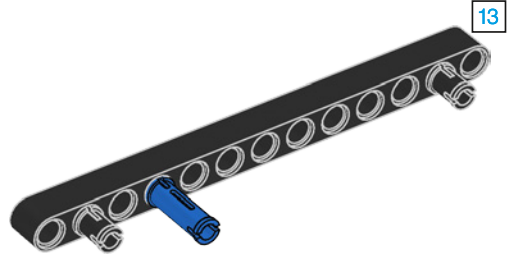
10



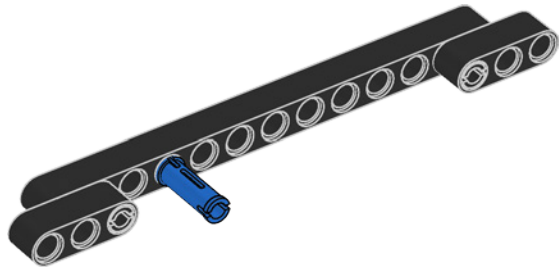


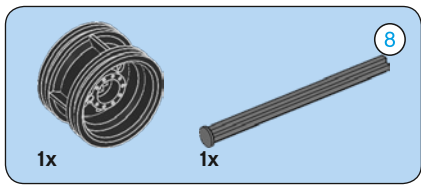


1

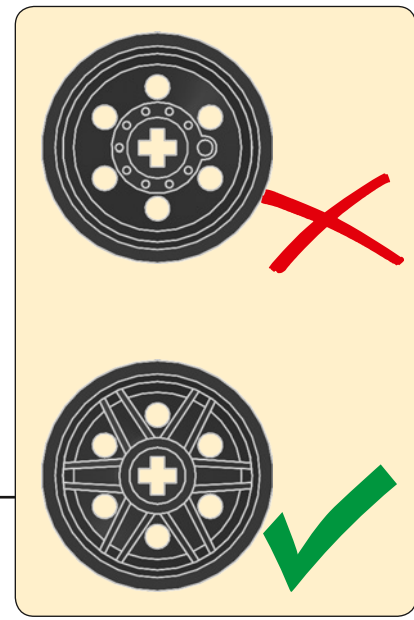
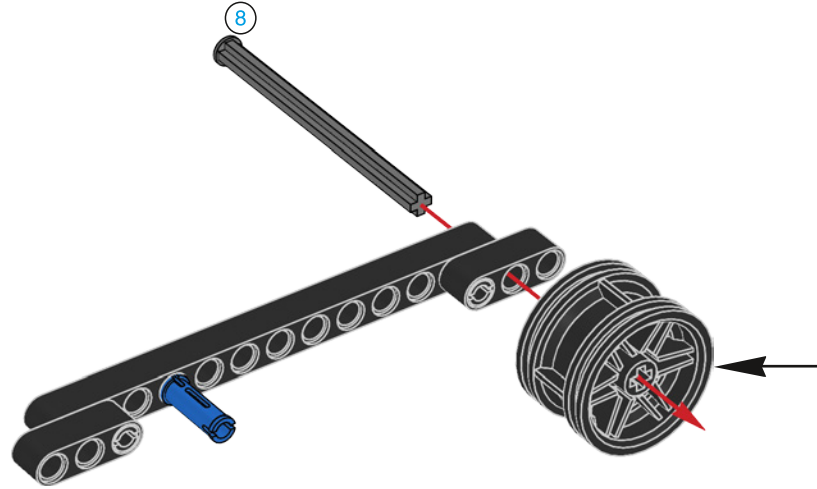


2

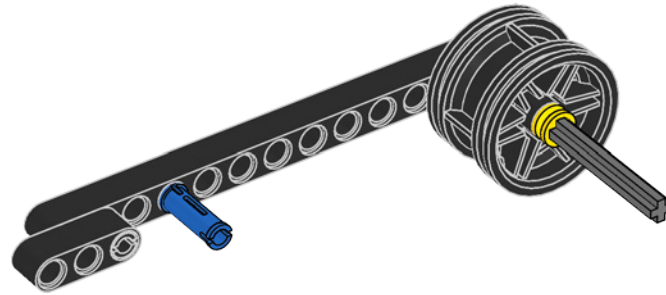


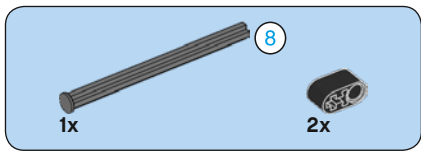


3

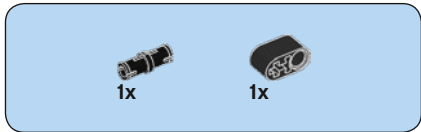
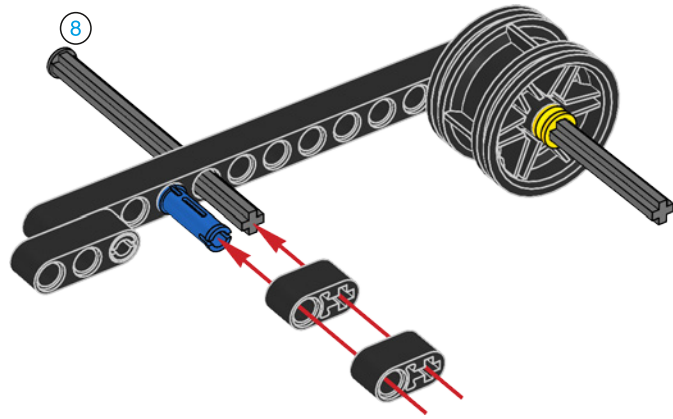


4

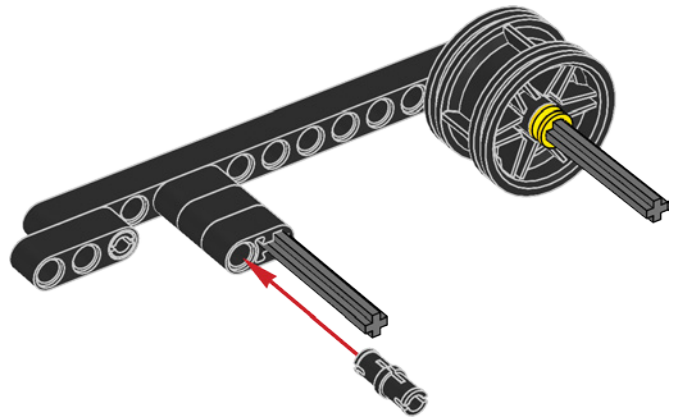


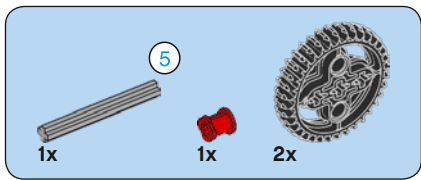


5

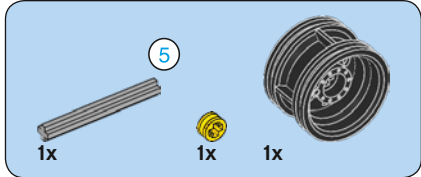
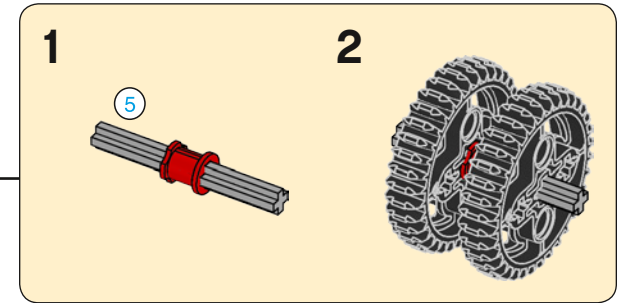
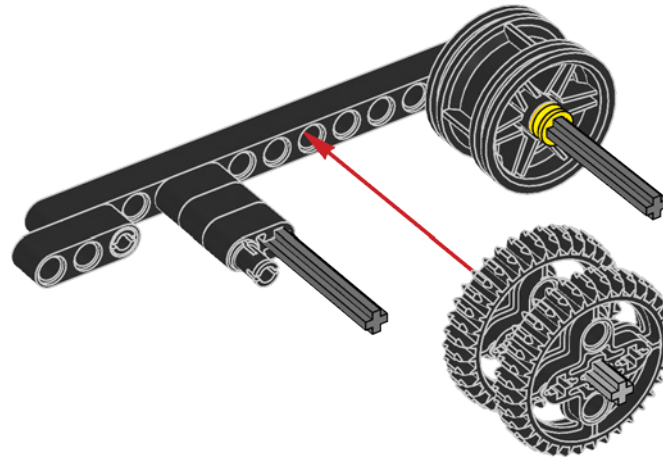


6

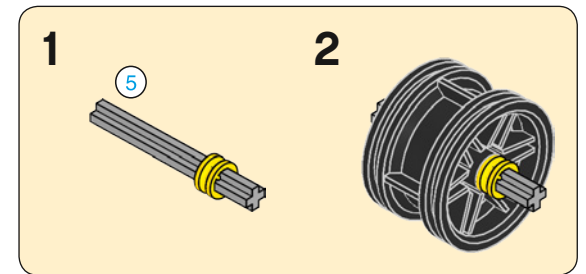
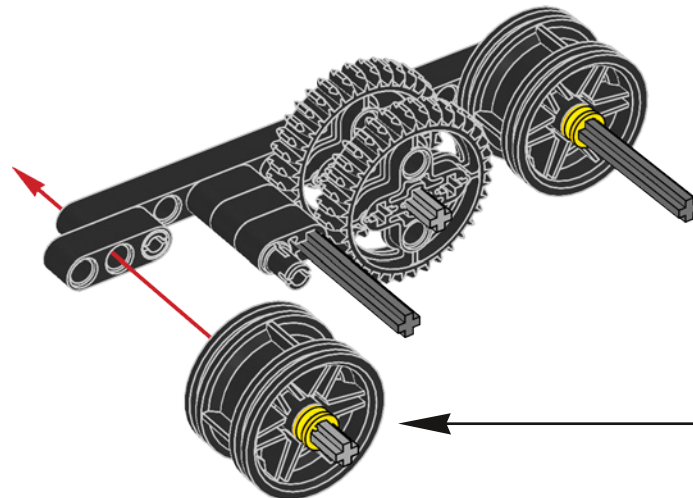


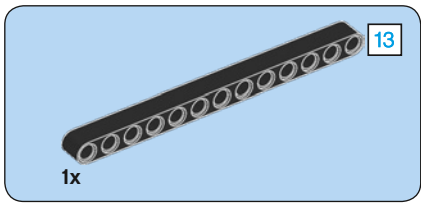


7

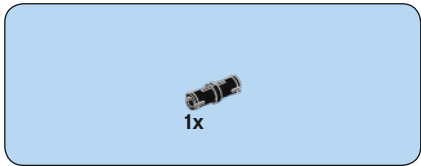
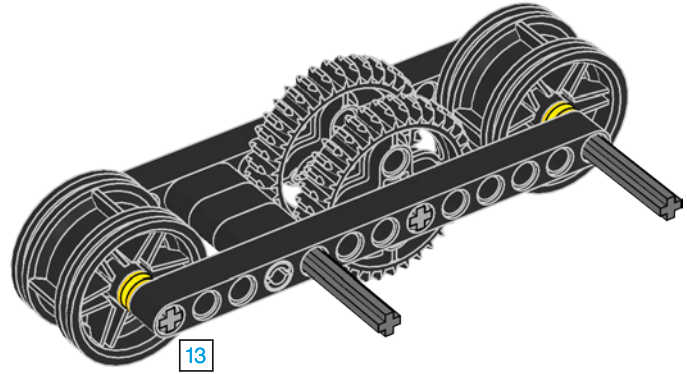


8

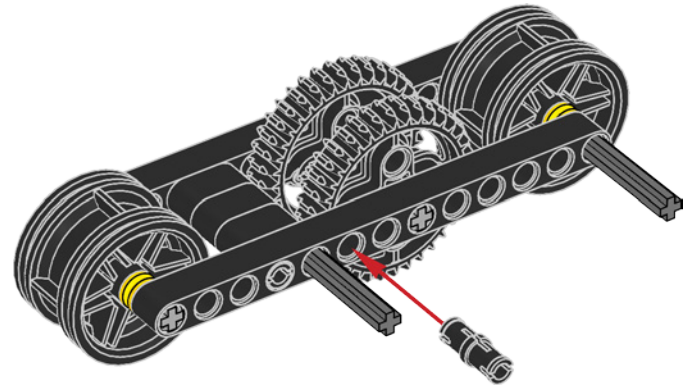




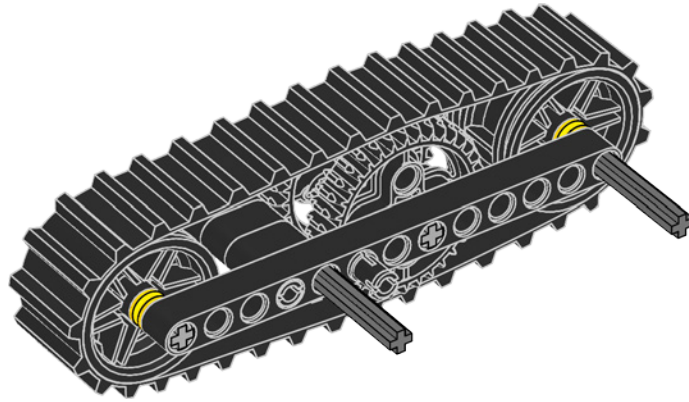
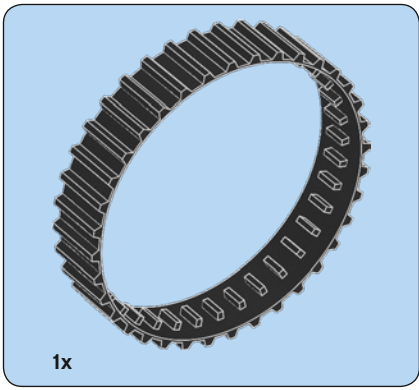
9



10

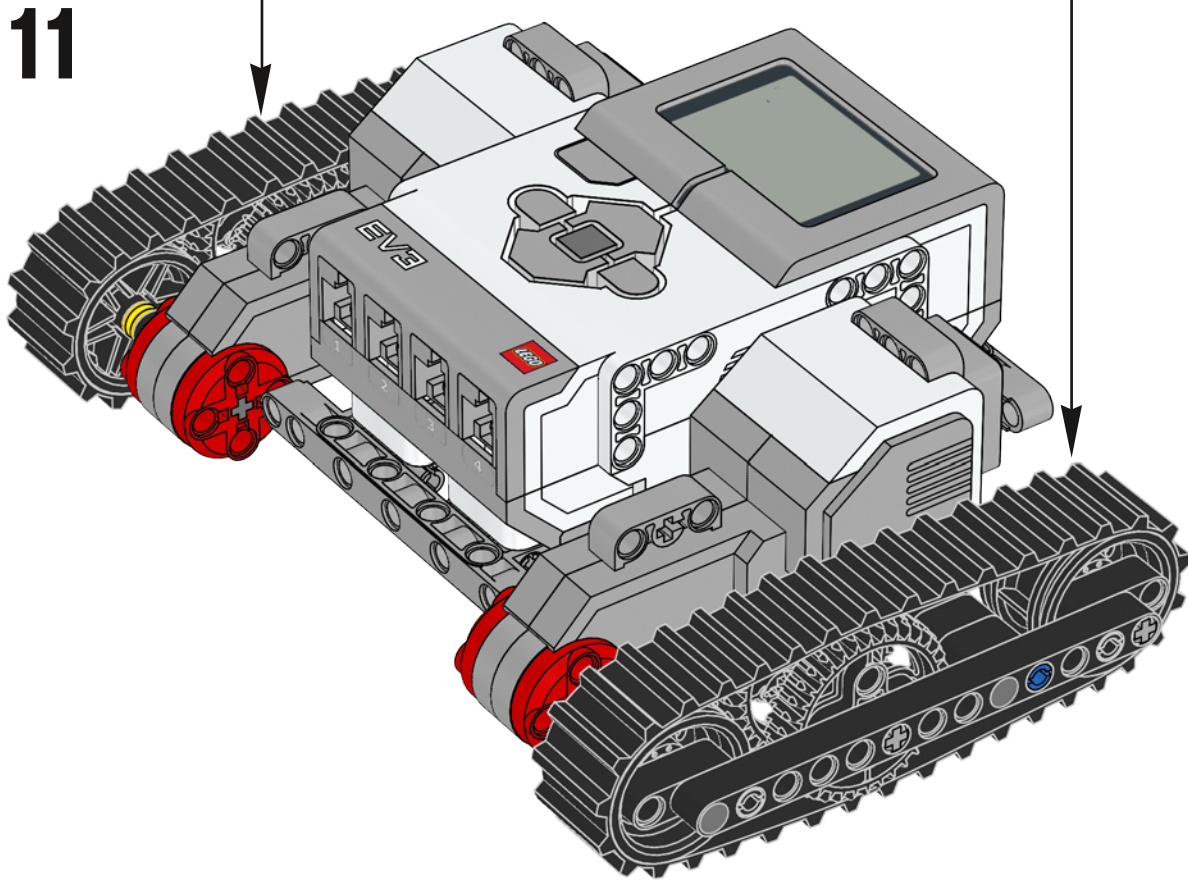


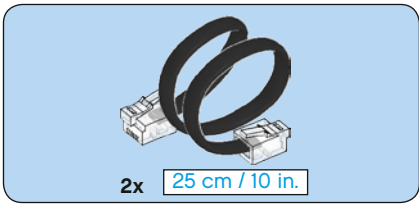




11

2x





# 12

